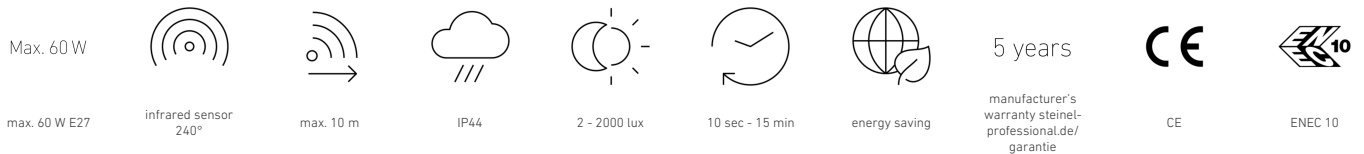


L 400 S

black
EAN 4007841 611019
Article number 611019



Function description

Simply classic, simply classy. Outdoor SensorLight L 400 S, ideal for building walls and entrance areas, for E 27 lamps, 240° angle of coverage, max. reach 12 m, basic light-level function, hand-blown crystal glass shade with decorative bubble effect.

Technical specifications

Dimensions (L x W x H)	250 x 215 x 336 mm	Sneak-by guard	Yes
With lamp	No	Capability of masking out individual segments	Yes
Manufacturer's Warranty	5 years	Electronic scalability	No
Settings via	Potentiometers	Mechanical scalability	No
With remote control	No	Reach, radial	r = 3 m (19 m ²)
Version	black	Reach, tangential	r = 12 m (302 m ²)
PU1, EAN	4007841611019	Photo-cell controller	Yes
Application, place	Outdoors	Cover material	shrouds
Application, room	outdoors, front door, all round the building, terrace / balcony, courtyard & driveway	Lamp	All-purpose lamp
Installation site	wall	Base	E27
Impact resistance	IK03	Soft light start	Yes
IP-rating	IP44	Continuous light	selectable, 4h
Protection class	II	Twilight setting	2 – 2000 lx
Ambient temperature	-20 – 40 °C	Time setting	5 sec – 15 min
Housing material	Plastic	Basic light level function	Yes
Cover material	Glass transparent	Interconnection	No
		Basic light level function in per cent	0 – 50 %

L 400 S

black
EAN 4007841 611019
Article number 611019



Technical specifications

Mains power supply	220 – 240 V / 50 – 60 Hz
Output	60 W
Power consumption	0,8 W
Mounting height max.	6,00 m
Slave modeselectable	No

Basic light level function percentage, from	0 %
Basic light level function percentage, up to	50 %
Optimum mounting height	2 m
Detection angle	240 °

Accessories

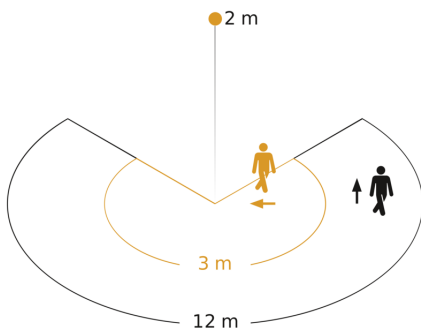
EAN 4007841 630317

Corner wall mount 03

L 400 S

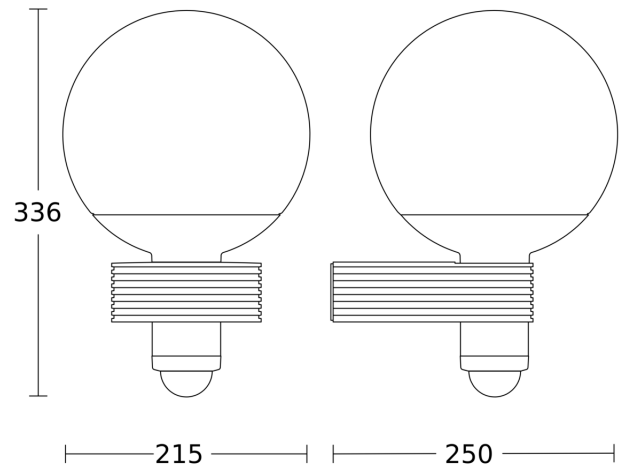
black
EAN 4007841 611019
Article number 611019

Detection Zone

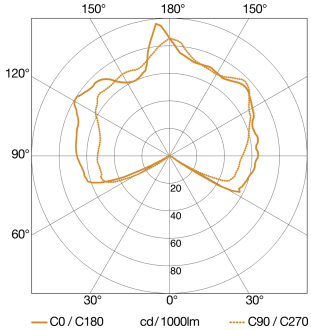


Possible mounting height: 1,80 m - 6,00 m
Orange: radial
Black: tangential

Dimension Drawing



Light Distribution Curve



Output
With lamp
Lamp

60 W
No
All-purpose lamp

Slave/wireless master interconnection circuit diagram

